



MP Antenna, LTD.  
147 Eady Court  
Elyria, Ohio 44035

440.387.5968 phone  
440.545.3500 fax  
www.mpantenna.com  
sales@mpantenna.com

## Model: Bi-Directional Wireless Antenna

item part number: 08-ANT-0978  
product description: 4.9-6GHz Bi-Directional Antenna

### Electrical Data

frequency range:	4.9-6GHz	environmental cond.:	Outdoor
gain:	10dBi *	operation temperature:	-40 to 85 deg C
vswr:	<1.5:1	storage temperature:	-40 to 85 deg C
horizontal pattern type:	Directional	transport temperature:	-40 to 85 deg C
vertical patter type:	Directional	IP Rating:	IP67
ground plane:	Built-In	RoHS - REACH	Compliant
min ground plane:	N/A		

### Environmental Data

### General Data

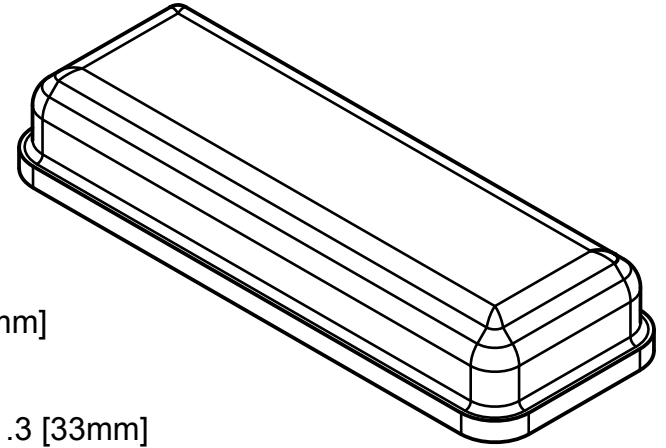
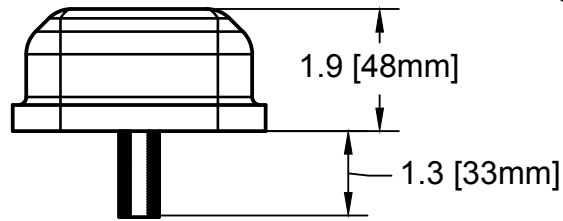
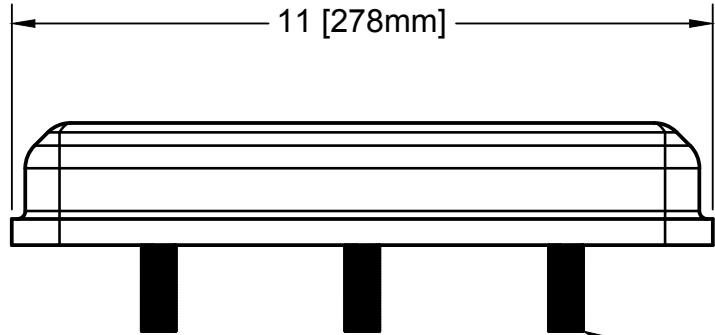
color:	Black	length:	11 in
antenna feeds:	three	width:	4.0 in
coax length:	N/A	height:	1.9 in
coax type:	N/A	total height:	See Drawing
connector type:	N-Female	mounting type:	Stud Mount
polarization:	Multi-Polarized	hardware included:	Nut and Washer
power:	50 Watts Input		
impedance:	50 ohms Nominal		
construction:	Impact Resistant Delrin		

### Mechanical Data

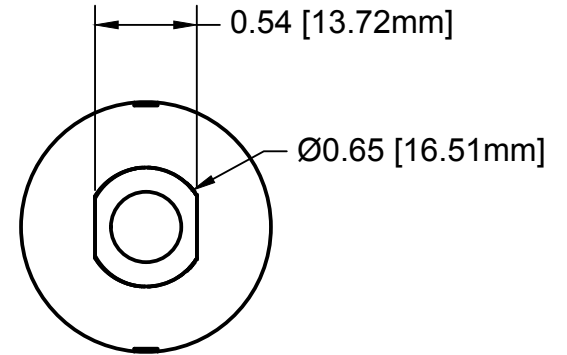
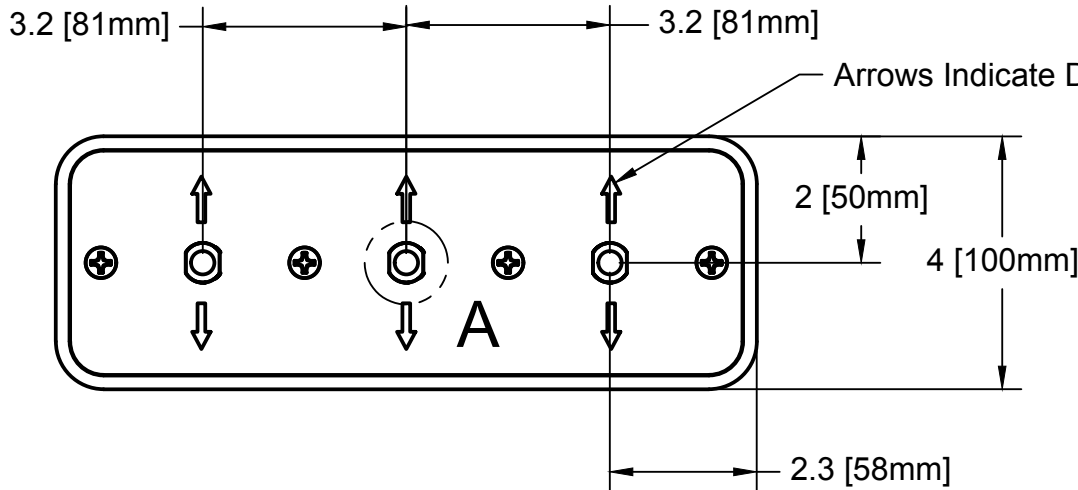
**\* With built in spatial and polarization diversity, performance in obstructed environments is greater than that of standard antennas with similar or higher laboratory gains.**



Frequency Range	Number of Feeds	Connector Type	Max Mounting Surface Thickness
4.9-6 GHz	3	N-Female	0.4 Inches



N-FEMALE CONNECTOR (X3)



MOUNTING HOLE  
DETAIL A  
SCALE 1:1

NOTES:  
MOUNTING HARDWARE INCLUDED  
COLOR: BLACK

MP ANTENNA, LTD. 147 Eady Court Elyria, Ohio 44035 www.mpantenna.com	THIRD ANGLE  DIMENSIONS ARE IN INCHES		<b>PROPRIETARY AND CONFIDENTIAL</b> THE INFORMATION CONTAINED IN THIS DRAWING IS THE SOLE PROPERTY OF MP ANTENNA, LTD. ANY REPRODUCTION IN PART OR AS A WHOLE WITHOUT THE WRITTEN PERMISSION OF MP ANTENNA LTD IS PROHIBITED.	<b>DESCRIPTION:</b> Three Feed Bi-Directional Antenna	<b>PART NO.</b> 08-ANT-0978-V-BL-3X-M-HD	
		NAME				DATE
	DRAWN	BM				5/7/18



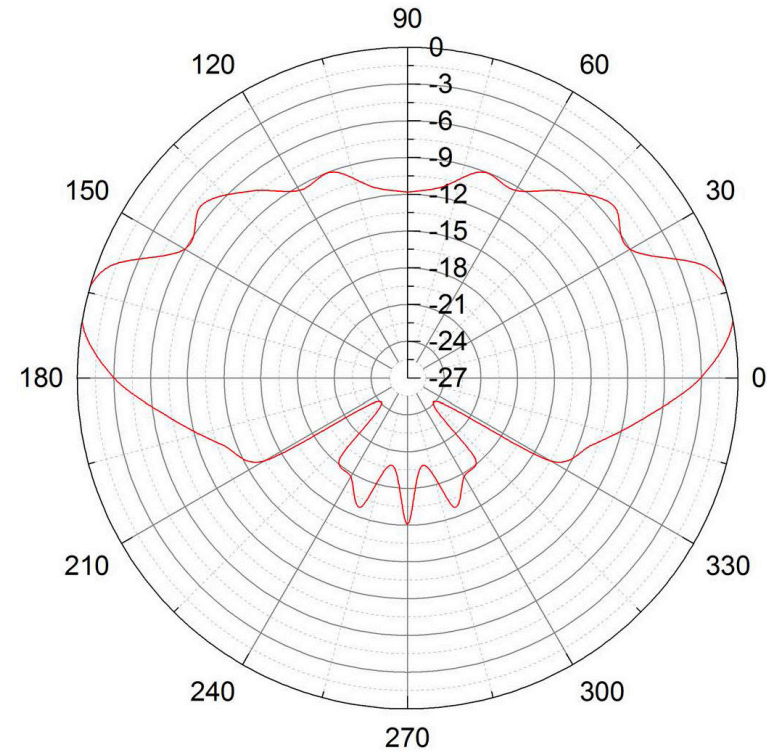
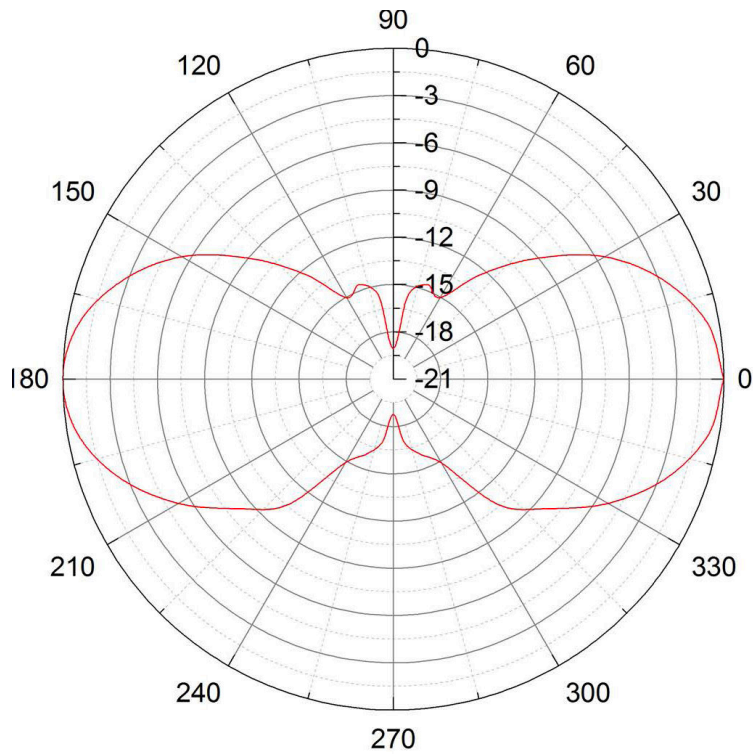
MP Antenna, LTD.  
147 Eady Court  
Elyria, Ohio 44035

440.387.5968 phone  
440.545.3500 fax  
www.mpantenna.com  
sales@mpantenna.com

### Model: Bi-Directional Wireless Antenna

Item part number: 08-ANT-0978  
product description: 4.9-6 GHz Bi-Directional Antenna

Frequency: 5.15GHz  
Max Gain: 7dBi





MP Antenna, LTD.  
147 Eady Court  
Elyria, Ohio 44035

440.387.5968 phone  
440.545.3500 fax  
www.mpantenna.com  
sales@mpantenna.com

### Model: Bi-Directional Wireless Antenna

Item part number: 08-ANT-0978  
product description: 4.9-6 GHz Bi-Directional Antenna

Frequency: 5.9GHz  
Max Gain: 10dBi

